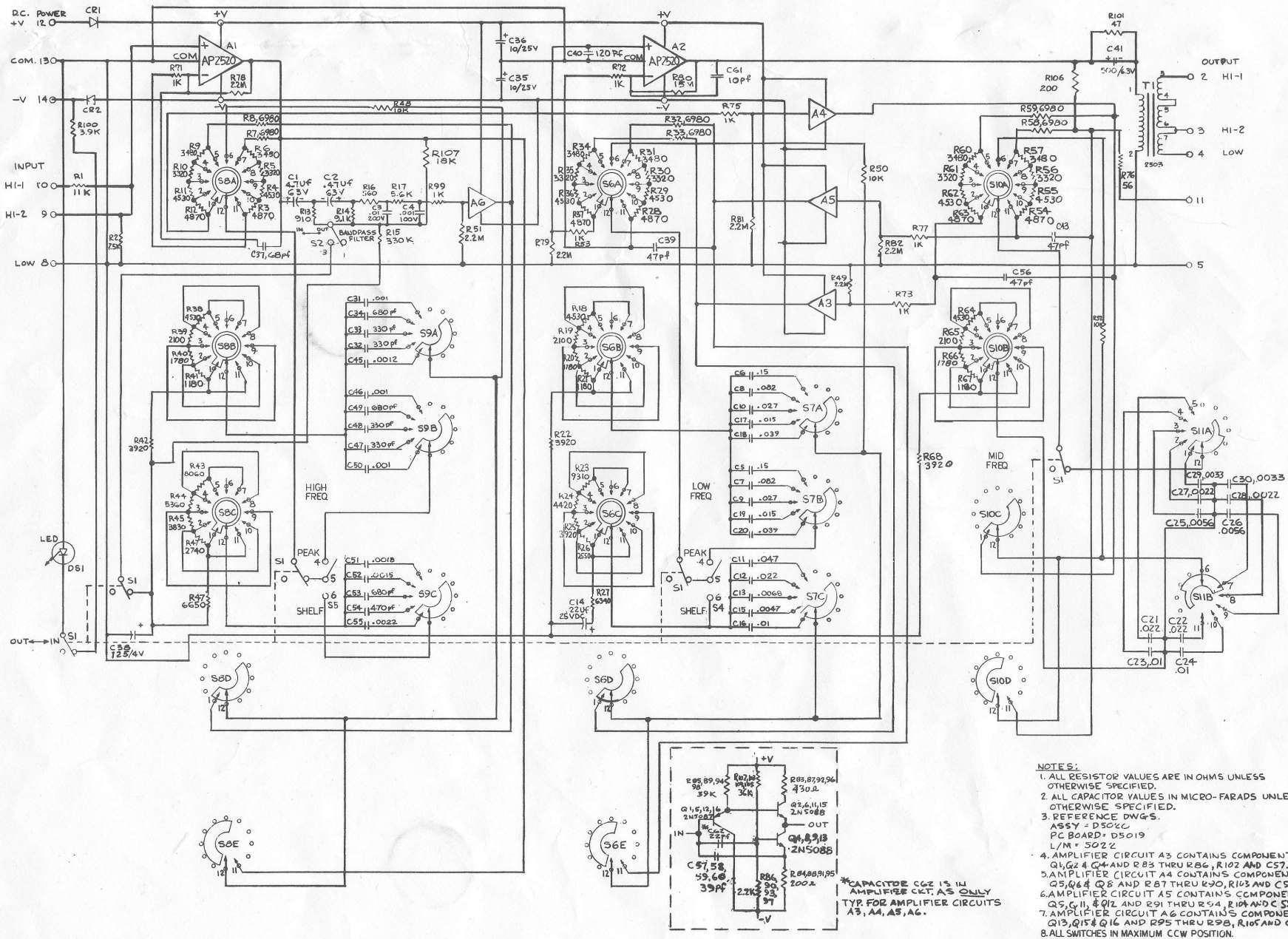


# MODEL 550A EQUALIZER SCHEMATIC



- NOTES:
1. ALL RESISTOR VALUES ARE IN OHMS UNLESS OTHERWISE SPECIFIED.
  2. ALL CAPACITOR VALUES IN MICRO-FARADS UNLESS OTHERWISE SPECIFIED.
  3. REFERENCE DWGS. ASSY - D5000 PC BOARD - D5019 L/M - 5022
  4. AMPLIFIER CIRCUIT A3 CONTAINS COMPONENTS Q1, Q2, Q3 AND R83 THRU R86, R107 AND C57.
  5. AMPLIFIER CIRCUIT A4 CONTAINS COMPONENTS Q5, Q6, Q7 AND R87 THRU R90, R103 AND C58.
  6. AMPLIFIER CIRCUIT A5 CONTAINS COMPONENTS Q8, Q9, Q10 AND R91 THRU R94, R104 AND C59, C62.
  7. AMPLIFIER CIRCUIT A6 CONTAINS COMPONENTS Q13, Q14, Q15 AND R95 THRU R98, R105 AND C60.
  8. ALL SWITCHES IN MAXIMUM CCW POSITION.