



TEXAS INSTRUMENTS
SEMICONDUCTORI ITALIA S.p.A.

D. O. BOX 1 - 02010 CITTADUCALE (RM) IT
TEL. 09034/516/7 - TELEX 02003

THE 3613 NS

RI107-RI103

OCTAVE MULTIPLE TONE SYNTHESIZER - OMTS™

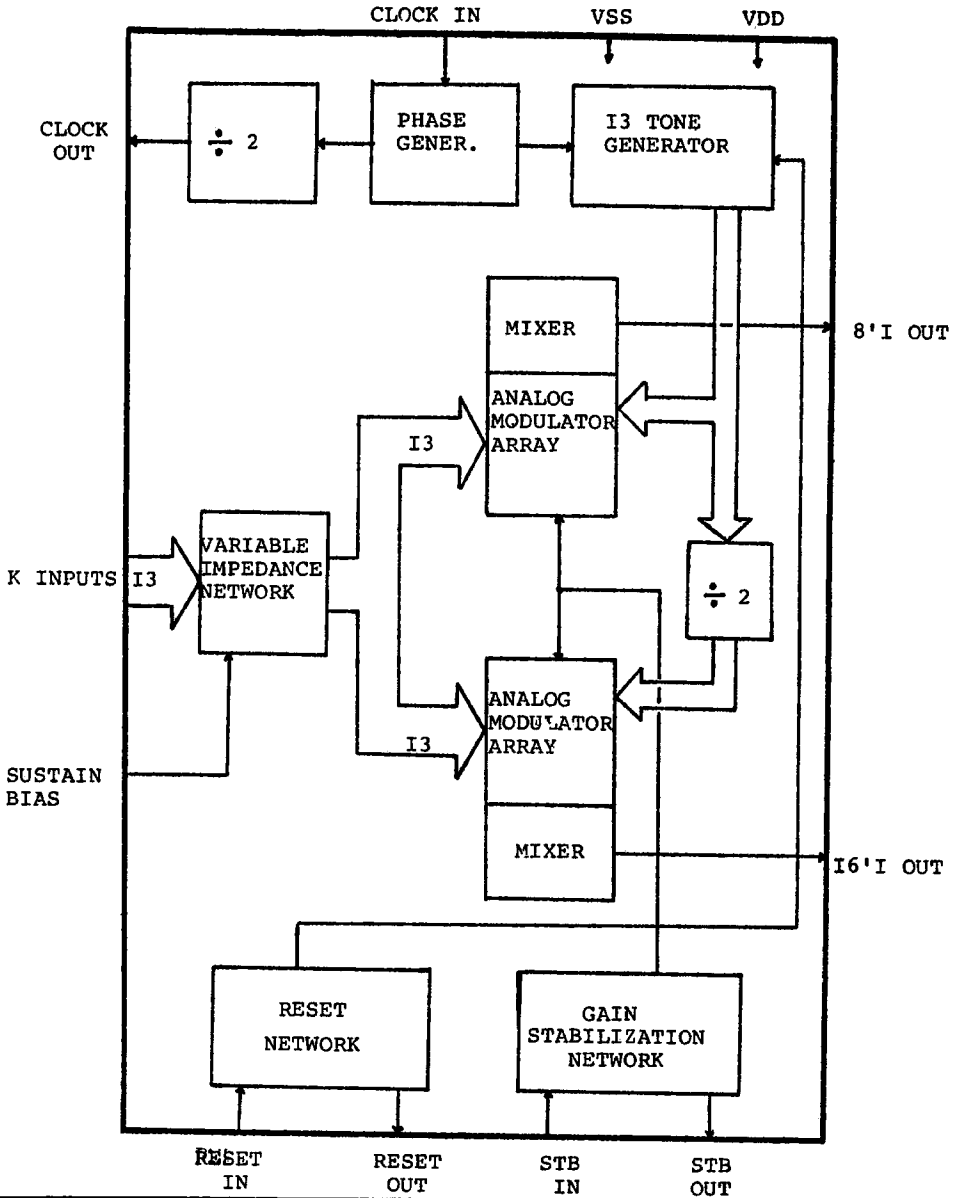
(2 FOOTAGES)

scans humanized by T-150

NOVEMBER 1981

- 2 footages (16', 8', or 8', 4' or 4', 2') current outputs
- Sustain of the output signals is possible by simply connecting a capacitor (1 /uF) to each key input
- Sustain decay time adjustable from a few ms to a very long time (key memorization) by connecting a variable voltage to the appropriate terminal
- Possibility of controlling the amplitude swing of the footage outputs, to minimize the spread among different devices, by connecting a simple external network to the appropriate terminals
- Asynchronous reset to synchronize devices of different octaves
- Single power supply (15V or 12V typical)
- Clock output for lower octave device

BLOCK DIAGRAM



CIRCUIT DESCRIPTION

There is a tone generator, that produces 13 acoustic frequencies for the higher footage (8'), and 13 toggles that divide these frequencies by two for the lower footage (16').

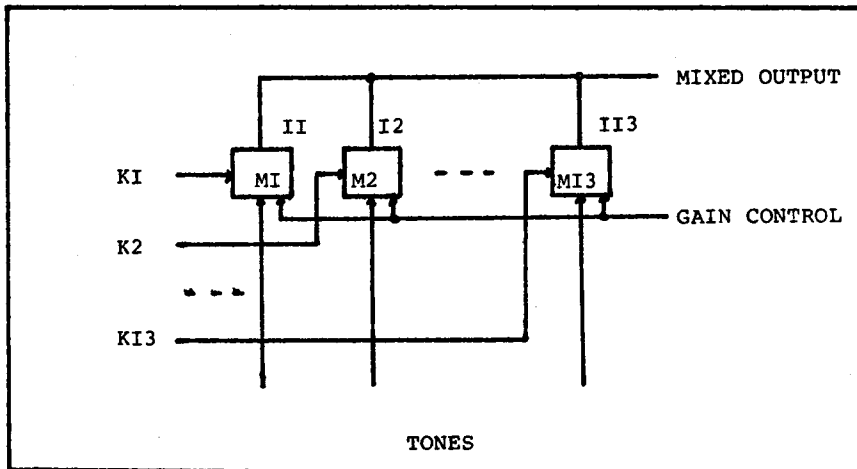
The actual frequency of the tones depends on the input clock.

A clock output (half of the frequency of the clock input) is provided to be used as clock input to the next lower octave device.

The pull-up impedance of the key inputs is programmable from a low value to an open circuit value by properly biasing the Sustain Bias input.

The k inputs go in parallel to the Analog Modulator Array blocks of the two footages.

Each of these blocks contains 13 identical current output analog modulators as shown in fig.



Each modulator produces an acoustic carrier (Tone), amplitude modulated from 0% to 100% by the corresponding k input voltage, around a constant d.c. level (offset current) equal to one half the maximum swing of each modulator output.

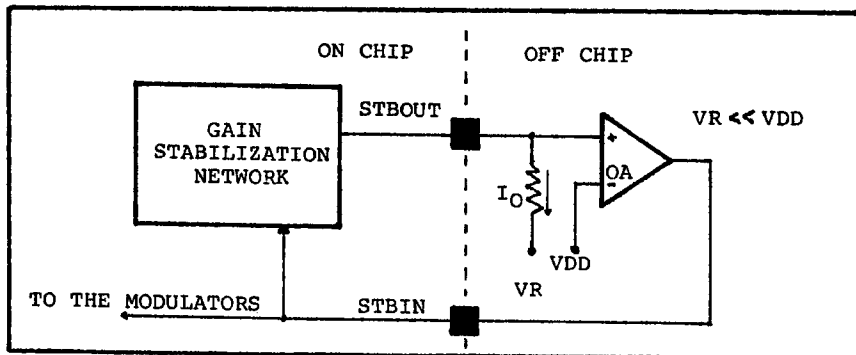
These outputs are then summed together, instant by instant, to provide a single composite output current given by:

$$I_{out} = \sum_{k=1}^{13} (I_0 + C V_k F_k)$$

Where:

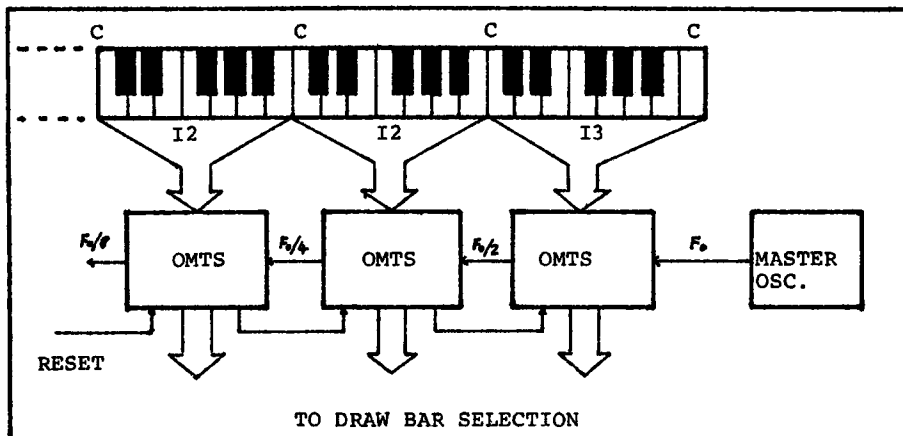
- I_0 is the modulator output current (200 uA typical) with the k input at V_{SS} .
- C is a constant
- V_k are the voltages on the k inputs, with respect of V_{SS} .
- F_k are functions whose value are +1 or -1 according to the internal tone waveforms ("1", "0" logic).

The mean value of each modulator's output is equal to I_0 while the signal component $C V_k F_k$ is equal to $\pm I_0$ if V_k is equal to V_{DD} . In order to make this I_0 value independent from temperature and constant, among different devices serving different octaves, each modulator has a gain control (STBIN) coming from the GAIN STABILIZATION NETWORK. This network provides automatic gain control (A.G.C.). When used in conjunction with an external amplifier that senses the current on the output STBOUT (this current is equal to I_0) and automatically adjusts the STBIN voltage to maintain this current constant, as shown in Fig



The TMS3615NS is a device of the OCTAVE MULTIPLE TONE SYNTHESIZER family, producing 2 footage current outputs, for application in electronic musical instruments.

With this simple high integration component, used repetitively for each octave, the architecture of an electronic organ becomes:



The TMS3615NS makes possible the introduction of substantial advantages in the electronic organ:

- achievement of modularity by matching the device count to the number of octaves in the keyboard
- major simplification of the architecture
- enhanced analog characteristics
- significant improvement of the reliability

KEY FEATURES

- Low cost P MOS technology
- 13 key input (octave organization)
- Internal tone generation (50% duty-cycle for RI107; 25% DUTY-cycle on the higher footage 12 tones for RI103).

If the gain stabilization is not needed, the STBOUT may be left open and the STBIN must be connected at V_{SS} .

A reset network is provided to synchronize many devices together and to allow the frequency counters (tos) enter their proper counting sequence. On the reset input RESIN there is a schmitt trigger to allow slow changing edges of the reset signal. The output of this schmitt trigger is available on RESOUT.

WARNING

In order to avoid that a mishandling of the PC Board might cause reliability problems associated with the internal circuitry, we suggest to connect the PIN4 and PIN 24 with an external resistor of .5 M Ω to V_{SS} on the same PC board.

DIVISIONAL FACTORS

The output frequencies are related to the input clock frequency through the following divisional factors:

<u>INPUT</u>	<u>OUT 8'</u>	<u>OUT 16'</u>
K 1	478	956
K 2	451*	902
K 3	426*	852
K 4	402*	804
K 5	379*	758
K 6	358*	716
K 7	338*	676
K 8	319*	638
K 9	301*	602
K10	284*	568
K11	268*	536
K12	253*	506
K13	239*	478

* Duty cycles other than 50% (RI107) and 25% (RI103) available upon request.

PARAMETER	TEST CONDITIONS	MIN	TYP	MAX	UNIT
Clock input low level pulse width		200			ns
Clock input high level pulse width		200			ns
Reset in low level				-8	V
Reset in high level		-2.5			V
K input level for 0% modulation index		VDD	VDD	VDD	V
K input level for 100% modulation index			-1.8		V
Clock Out low level	R load \geq I M			-8	V
Clock Out high level		-I			V
Clock Out rise/fall	C load \leq 30 pF			150	ns
Reset Out low level	R load \geq I M			-9	V
Reset Out high level		-I			V
STB Out/Footage Out bias voltage (See Fig.C)		VDD-2	VDD	VDD+2	V
STB Out Current (See Fig.D)	STB Out at VDD STB in Voltage=VDD		I90		uA
Power Supply VDD		-II		-16	V
Power Consumption	All outputs open Reset In = Low Sustain Bias=VSS			40	mA

NOTE: unused K inputs must be tied at Vss.

TMS36I5NS - RI107-RI103

ABSOLUTE MAXIMUM RATINGS

Supply Voltage VDD	VSS + .3V to VSS -20V
Input Voltage Range	VSS + .3V to VSS -20V
Storage Temperature	-55°C to +150°C
Total Power Dissipation at (or below) 25°C Free-Air Temperature	I W
Operating Free-Air temperature Range	0°C to 50°C

ELECTRICAL CHARACTERISTICS

At 25°C Free-Air Temperature VSS = 0V, VDD = -15V (Unless Otherwise Specified)

PARAMETER	TEST CONDITIONS	MIN	TYP	MAX	UNIT
STBIN Input Current (See Fig.A)	VIN=VDD		30		uA
K Input Impedance (See Fig.B)	VK=VDD, Pin2 at VDD VK=VDD, Pin2 at VSS	30 30	45 1000	60	K Ω M Ω
Input leakage current (any input except K inputs and PIN22)	VIN=VDD All other Pins at VSS			I	uA
Clock input frequency		20		* 2200	KHz
Clock input rise/fall				150	ns
Clock input high		-I			V
Clock input low				-7	V

* 4.4Mhz available upon request

TYPICAL CHARACTERISTICS

STB IN CURRENT
 V_S
 STB IN VOLTAGE

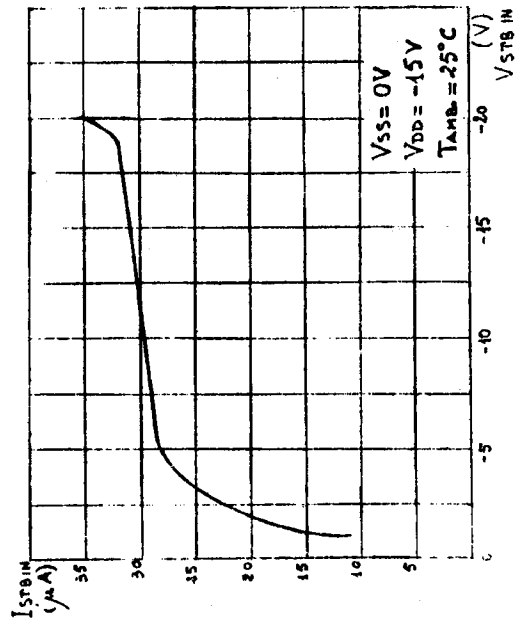


FIG. A

K INPUTS CURRENT
 V_S
 K INPUTS VOLTAGE

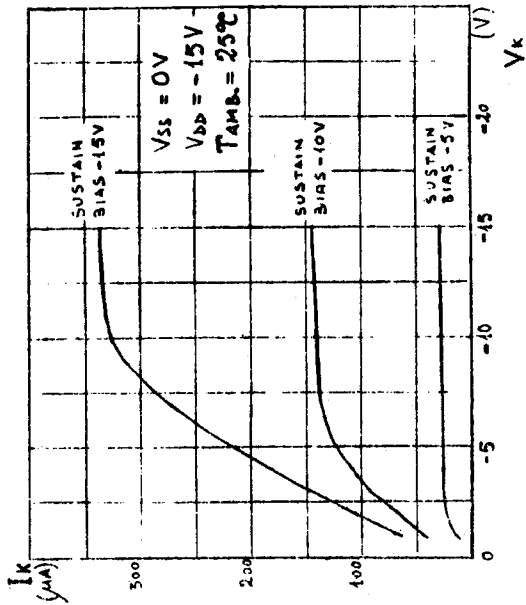


FIG. B

PIN 1 & PIN 24

NORMALIZED OUTPUT CURRENT

V_s

OUTPUT VOLTAGE

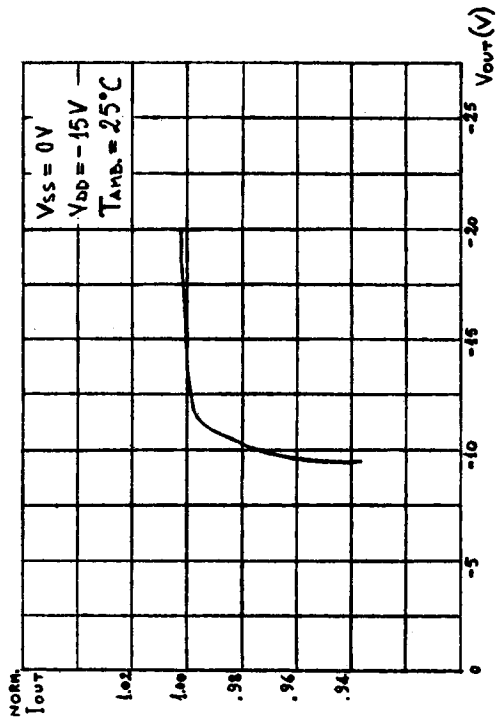


FIG. C

TYPICAL CHARACTERISTICS
STBOUT CURRENT VS STBIN VOLTAGE

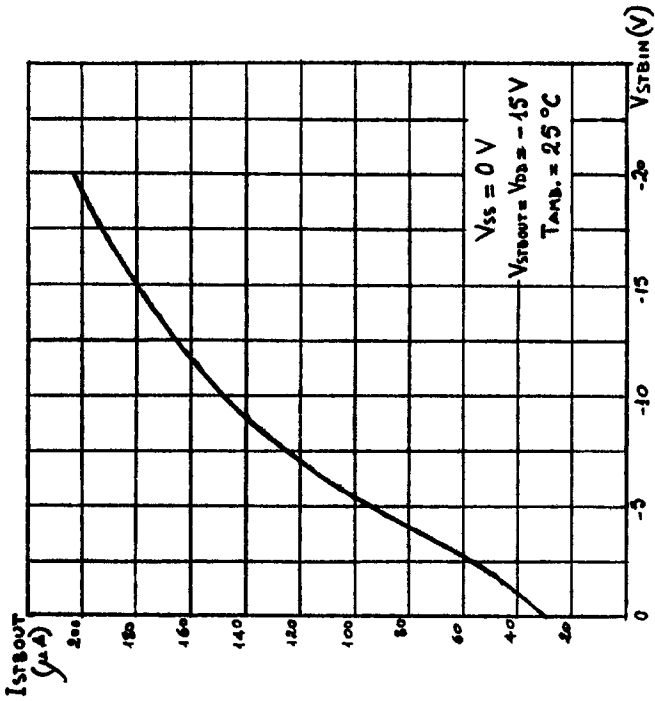
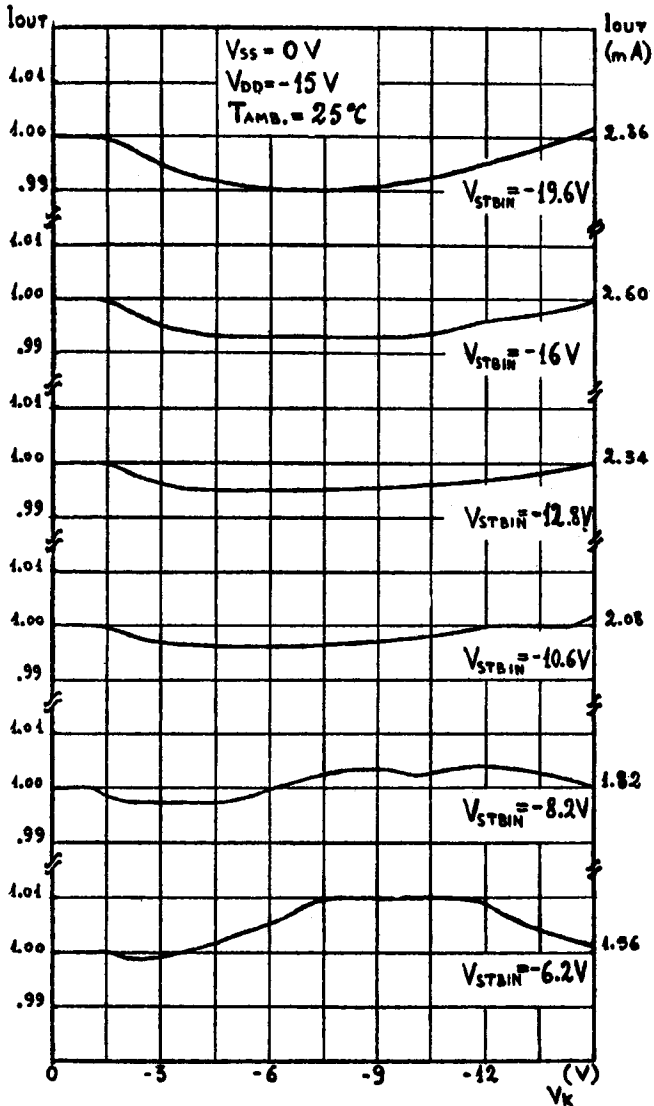


FIG. D

PIN 1 & PIN 24
TYPICAL CHARACTERISTICS



NORMALIZED D.C. OUTPUT CURRENTS

V_s

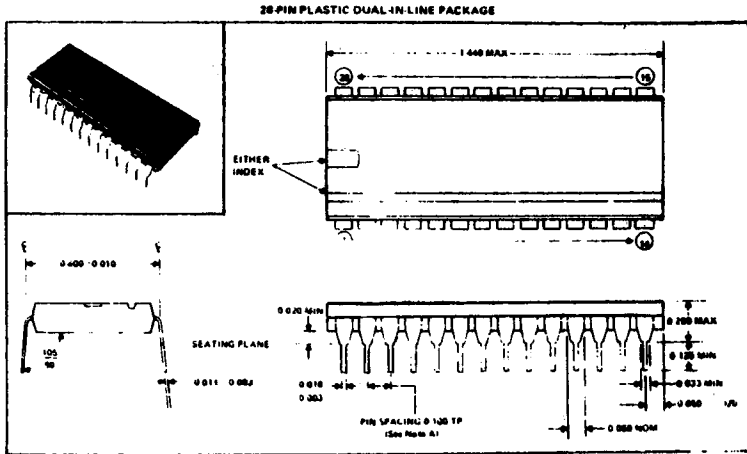
SINGLE K INPUT VOLTAGE

FIG. E

PIN ASSIGNMENT

<u>PIN NBR</u>	<u>FUNCTION</u>
1	NC
2	NC
3	16' OUT
4	SUSTAIN BIAS
5	VSS
6	K 8
7	K 9
8	K 10
9	K 11
10	K 12
11	K 13
12	RESET OUT
13	CLOCK IN
14	VDD
15	CLOCK OUT
16	RESET IN
17	K 1
18	K 2
19	K 3
20	K 4
21	K 5
22	K 6
23	K 7
24	STBIN†
25	STBOLT
26	8' OUT
27	NC
28	NC

MECHANICAL CHARACTERISTICS



NOTE A: Each pin centerline is located within 0.010 of its true longitudinal position.

B: All linear dimensions are in inches.